

Coaxial HD Integrated ZOOM CAMERA

●FEATURES

High Resolution

This camera use a high performance megapixel CMOS,which provides high resolution, clear, noiseless and reliable image; Effective pixels can reach 1.3/2 megapixel.

18X/22X/30X/36X Optional

OSD Menu/Line control/RS-485 Control

Remote control operations are possible through RS-485 signal interface, also can control the lens by external control line.

Day/Night

Camera will auto switch to color at daytime and B/W at night according to the environment illumination to ensure a high sensitivity and clear image.

Auto Focus

Camera can auto focus from 0.1m to limitless distance.

Built-in IR Color Filter

Built-in IR color filter which can fully enhance the day & night.

●Safety Instruction

Avoid using the camera in extreme temperature, the operating temperature shall be $-10^{\circ}\text{C} \sim +50^{\circ}\text{C}$ and keep ventilated;

Avoid using the camera in high humidity environments or it may cause a bad image;

Avoid using the camera in unsteady lighting.The camera will not work properly in places with great changes in illumination intensity;

Avoid using the camera in the presence of oil and gas.The camera will be damaged if oil or gas penetrates the exterior;

Do not disassemble the camera; If necessary, please disassemble it under the instruction of maintenance man;

Camera may be damaged if dropped or subjected to strong impact;

Avoid exposing the camera in the rain or liquid. Please dry it immediately when it gets wet. The minerals in the liquid would corrode the camera;

Avoid touching the lens and CMOS which is the most important parts of the camera. Keep the fingerprint and bolt away from the lens.

-Smear or blooming(when bright areas spreads out)may occur when photographing in strong light. i.e.car headlights,etc.

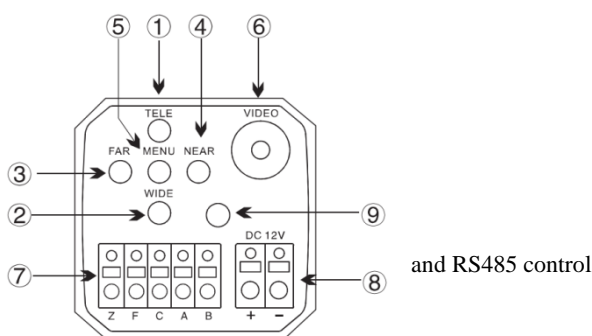
- Make sure that you are using a compatible power adapter before connecting it to the camera.

●Back Board

Back board

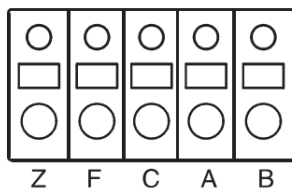
Instruction

- ①TELE: Zoom near
- ②WIDE: Zoom far
- ③FAR: Focus far
- ④NEAR:Focus near
- ⑤MENU ON/OFF
- ⑥VIDEO Output
- ⑦Instruction of line control
- ⑧DC12V-Power Input
- ⑨PL-Power state LED



Control interface

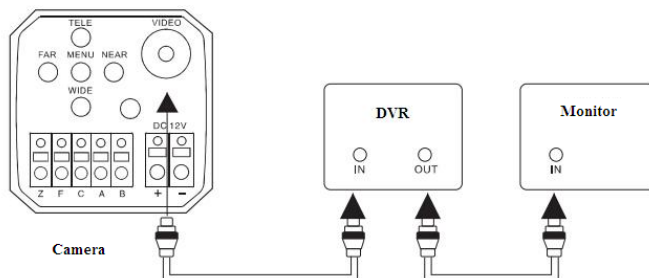
- Z—ZOOM
- F—FOCUS
- C—COM
- A—RS485+
- B—RS485-



●Installation

Connecting to DVR

Connect the video output jack on the back of the product to the DVR.



* The method of connecting the camera to a DVR varies depending on the cable model. Please refer to the instruction of the physical cable.

* Please powered off before connecting.

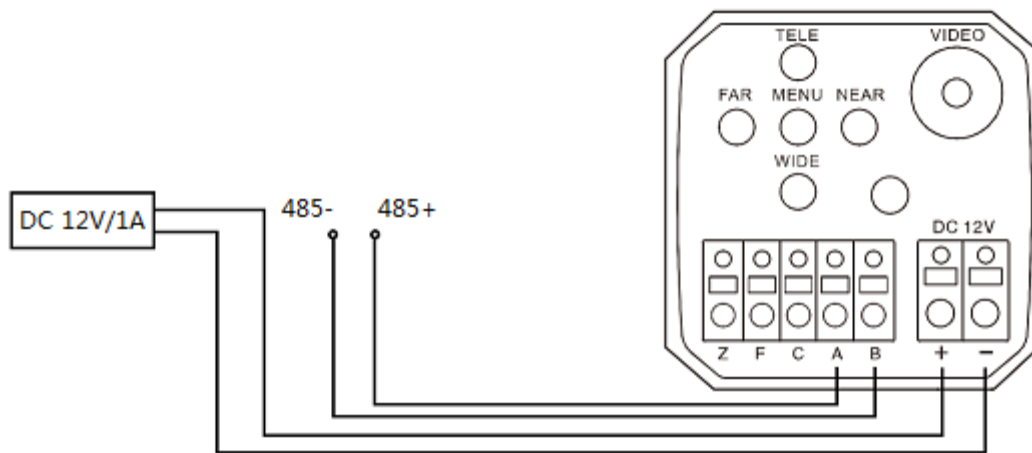
Connecting Power line and control line

DC power pack output and camera power supply input connecting as follow:

ATTENTION

Please take the attention on pole before connect power supply. Please finish any other setting before connect power supply.

DC adapter is needed to buy in addition.



●Menu Key

How to operate

- 1.Press the MENU, the OSD menu will show on the screen of the monitor;
- 2.Switch the FAR and NEAR to change the status and parameter which you choose;
- 3.Press the MENU to exit the menu;

Menu Setting

LANGUAGE	CHINESE/ENGLISH
CAMERA ID	001
Z DISPLAY	ON/OFF
DAY&NIGHT	CDS/COLOR/BK/AGC
FOCUS	KAUTO/MANUL/AUTO
BAUD RATE	1200/2400/4800/9600/19200/38400
NEG	OFF
FREEZ	OFF
SAT	047
SA	SAVE AND EXIT

SIZE: without housing

with housing

